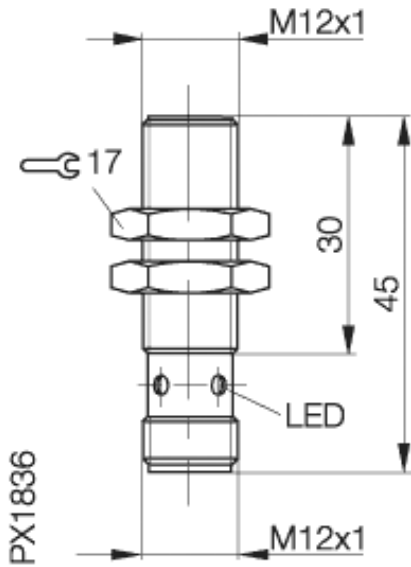


**Inductive Sensors**  
**BES M12EE-PSC40B-S04G**  
**M12x1 x 45**  
**normally-open**  
**Sn=4mm**  
**shielded**



**Common Data**

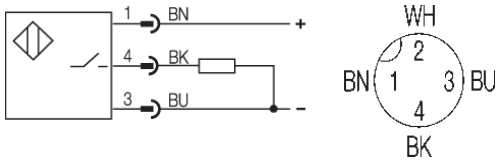
Mounting in steel	shielded
Rated operating distance Sn	4mm
Assured operating distance Sa	0...3.2mm
Repeatability R	=5%
Hysteresis	=15%
Function indication	yes
Ambient temperature range	-25...+85°C
Polution Degree	3
Time delay before availability	≤ 15ms

**Mechanical Data**

Measurements BxHxT or DxT	M12x1 x 45mm
Housing material	1.4404
Material of sensing face	LCP
Degree of protection	IP68 acc. BWN Pr 20IP
Connection	Connector S4 (M12)
Schock: Halbsinus, 30 gn, 11ms	
Vibration: 55 Hz, 1mm Amplitude, 3 x 30 Minutes	

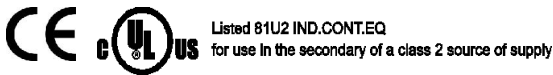
**Electrical Data**

Current type	DC
Wiring	3-Wire
switching function	normally-open
Output signal	PNP
Rated operational voltage	24 DCV
Rated operational current	200mA
Supply voltage	10...30 DCV
Ripple	≤ 15%
max. switching frequency	2000Hz
Minimum operational current	0mA
No-load supply current	=10 / =3mA
Off-state current	=50µA
Voltage drop	=2V
Short circuit protection	yes
Protected against polarity reversal	yes



**Remarks**

60bar at the active surface



Utilization categories DC 13  
 Insulation class II

Datasheet number:

Definitions see general catalog.  
 If not otherwise noted, ratings according to IEC 60947-5-2 (DIN EN60947-5-2)

Balluff GmbH  
 Schurwaldstrasse 9  
 73765 Neuhausen a.d.F.  
 Phone (07158) 173-0 Fax (07158) 5010

Datenblatt by CD-ROM - 04/2007

